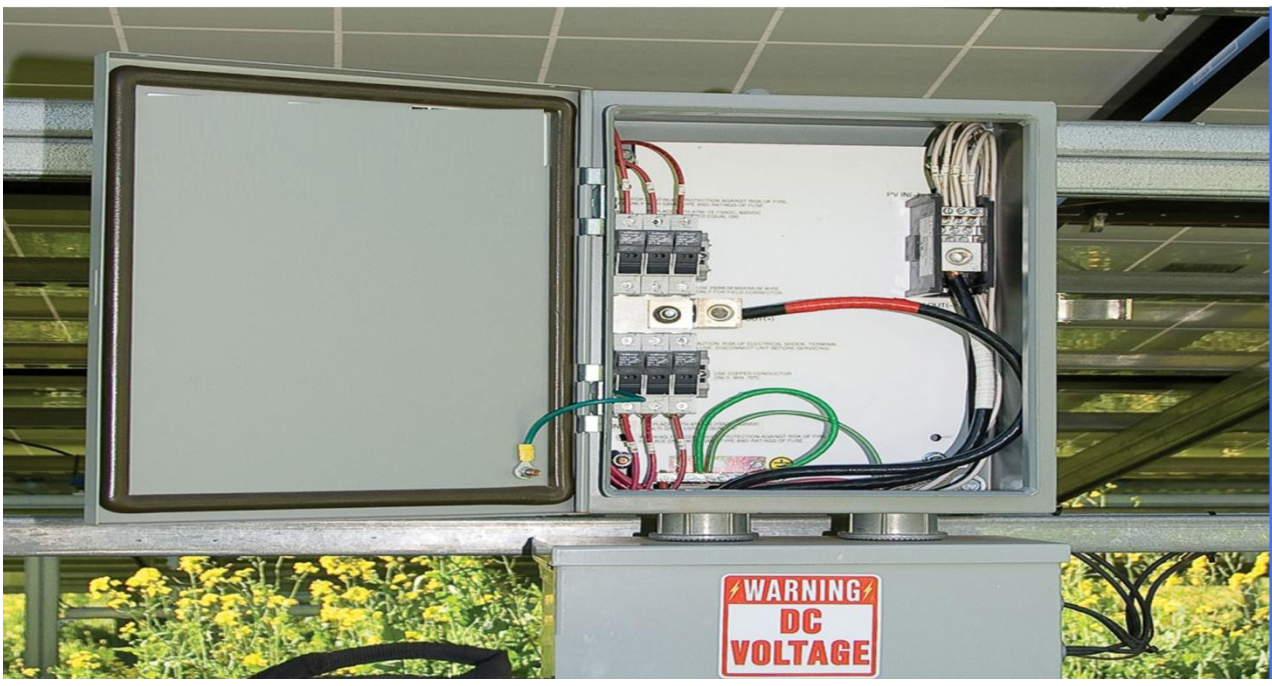




**SOLAR PHOTOVOLTAIC
ARRAY/STRING JUNCTION BOX
COMBINER BOX
DCDB/ACDB**



GESYS Solar Junction Boxes

GEESYS is instrumental in offering our clients with highly functional PV Array Junction Box. This PV Array Junction Box that we offer is fabricated with the use of latest technology and is suitable for different Solar Power applications. Our PV Array Junction Box is properly tested by the experts under strict industry norms to guarantee flawless functioning and durability.

How Photovoltaic Power Systems Work

1. PV solar cells are made from semi-conductor materials which convert solar (light) energy into DC electricity
2. PV solar cells are connected in series to form a PV module.
3. To generate higher power PV modules are connected in series to form a PV string.
4. PV strings are connected in parallel often by means of a combiner box to generate higher current.
5. The DC voltage/current is inverted into an AC voltage/current and fed into the grid.

Features:

- Disconnect DC at the sources
- Fuses for overload protection on each string
- Blocking Diodes for reverse current flow protection
- Easy DC-termination
- Easy and decent Cable management
- Time effective as well as money effective for cabling
- Step by step trouble shooting methodology
- Contemporary DC combining and disconnecting
- Space saving and orientation flexibility
- Load-break rated disconnecting
- Load-break rated disconnecting
- Increased granularity
- Traditional DC combining
- Reliable electric safety to avoid hazard
- Online Monitoring* (Optional for DCDB/ACDB)
- Superior thermal characteristics resulting from intelligent spacing and cable layout, eliminating the need for forced ventilation in extreme ambient temperature environments.
- Designed in accordance to Pollution Degree III (Industrial), providing increased safety in industrial or high condensation external environments
- 4-24 Strings covering up to 1000Vdc/400A ratings, suitable for all applications large or small.
- IP65/66 Protected Enclosures and Glands.



GEESYS Products

Your Complete Solar Solution



GEESYS PV Combiner Box

A Main Junction Box (MJB) is used to combine the multiple outputs from multiple numbers of Array Junction Boxes in the Power Plant and form a single output that can be connected directly to the DC Distribution Board (DCDB) or Power Conditioning Unit (Solar Inverter).

According to Standards

- IEC 60947-3
- IEC 60364-7-712
- IEC 61439-1

Cabling

Flexible double insulated PV cables. Precision termination prevents leakage.



Overvoltage SPD

IEC Class I and II SPD protects the unique sensitivity of PV panels.



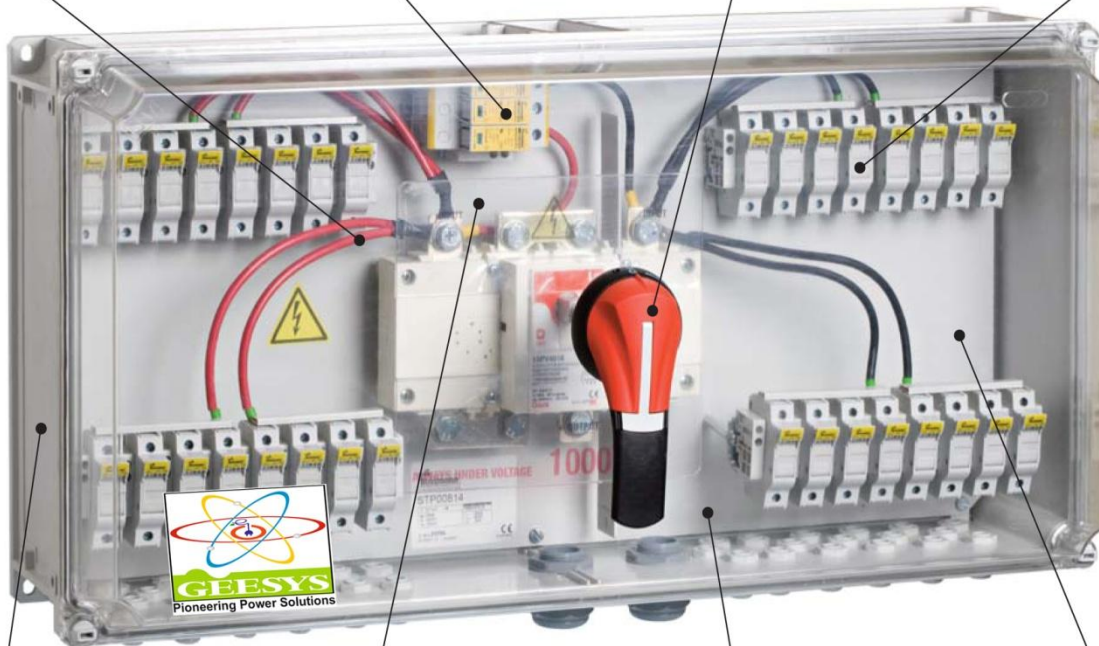
External Handle

Automatically disconnect power supply when turned to open the cover.



Fuse Protection

Positive and Negative polarities protected for increased System protection.



Box Material

Non-hygroscopic material, self-extinguishing and high resistance to corrosion.



Protection Screens

Finger-safe screens help prevent direct contact with live internal components and display electrical warning signs.



Enclosure Safety

Gaskets provide an IP55 ingress protection rating.



Transparent Cover

Interior always visible for viewing component and SPD easyID module status.

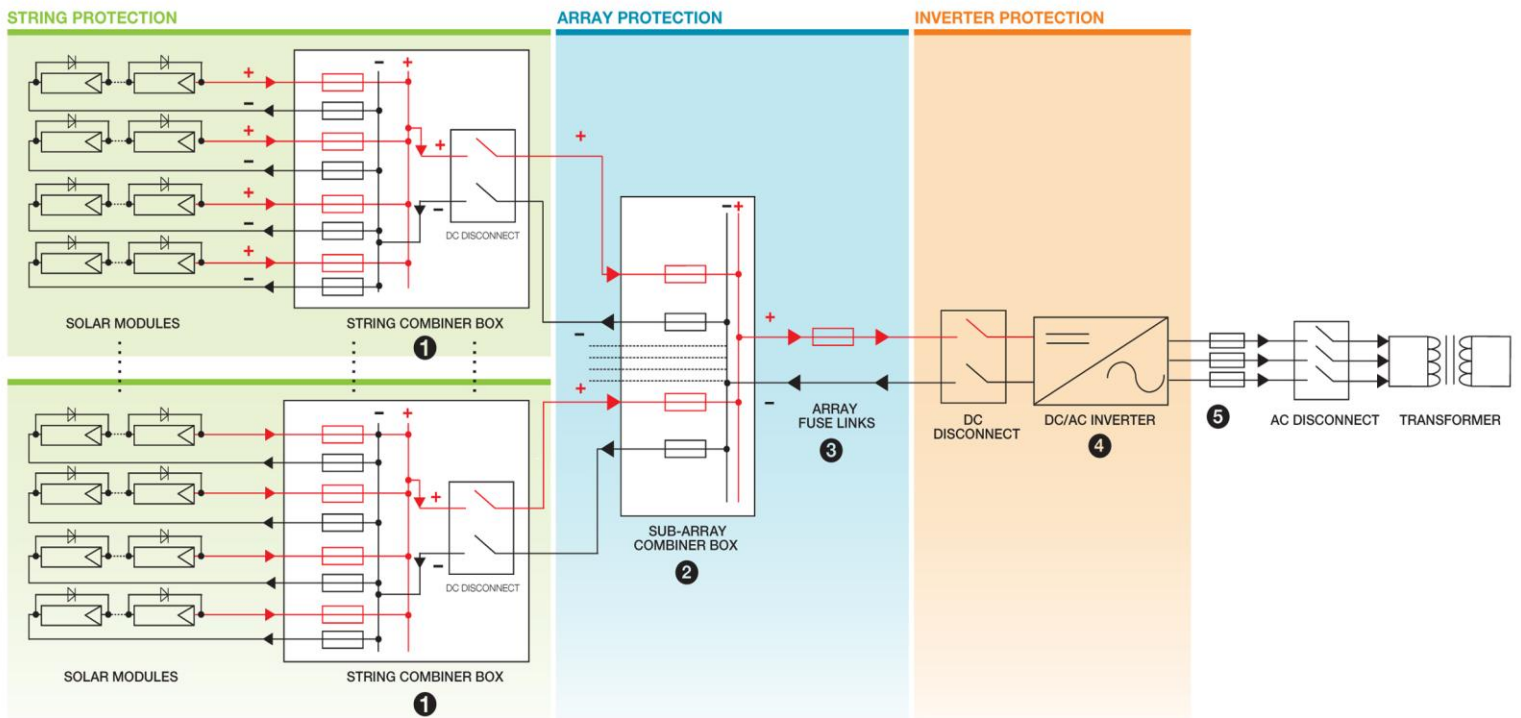
Sample of Standard String Configuration

Please Contact GEESYS Technologies Field Application Engineering group for custom solutions

Number of Strings	Rated Voltage (Vdc)	Fuse Rated Current (A)	Height (mm)	Width (mm)	Depth (mm)	Fused Ways	DC Disconnecter Rating (A)
4	1000	1-10	285	380	185	8	25
6	1000	1-20	380	570	185	12	100
8	1000	1-20*	380	570	285	16	100-125*
10	1000	1-20*	380	570	285	20	125-160*
12	1000	1-20*	380	760	225	24	125-200*
16	1000	1-20*	380	760	225	32	160-250*
20	1000	1-20*	847	636	300	40	200-315*
24	1000	1-20*	847	636	300	48	250-400*

*Top ratings use a different DC switch

GEESYS Solutions for PV Distribution Networks



* Due to constant product modifications, GEESYS Technologies have the rights to amend the above information without prior notice.



GEESYS Technologies

New No.21, Old No.9, Seshachalam Street,
 Saidapet, Chennai - 600 015. Tamil Nadu.
 Telephone: +91 44 45012354.
 Email: geesyscare@geesysindia.com
 Website: www.geesysindia.com

Authorised Dealer